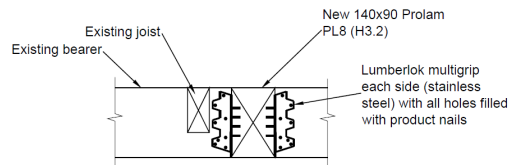
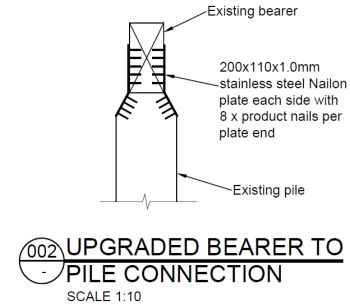


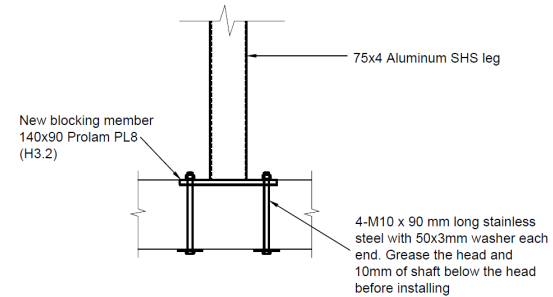
6 TYPICAL LOUVRE POST TO DECK CONNECTION - PLAN VIEW
SCALE 1:10



003 BLOCKING MEMBER TO BEARER CONNECTION
SCALE 1:10



002 UPGRADED BEARER TO PILE CONNECTION
SCALE 1:10



004 LOUVRE POST TO DECK BEARER CONNECTION
SCALE 1:10